

**LMF-L <Built-in Synthetics Resin Retainer>**

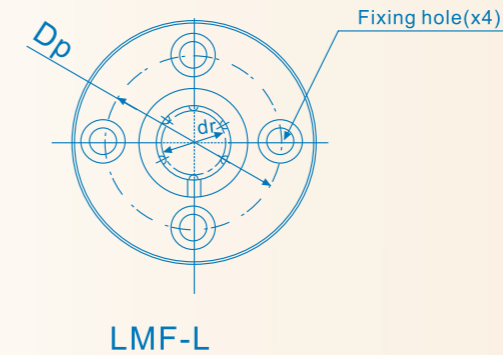
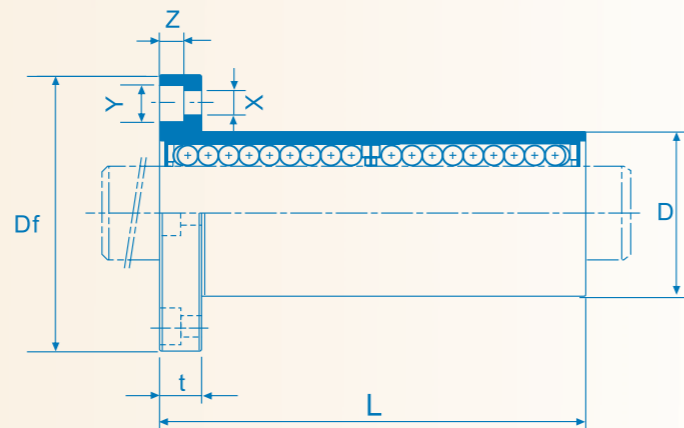
合成树脂保持器

**LMF-LA <Stainless Steel Retainer>**

整体不锈钢保持器



This type is a metric dimension series widely used in Japan and other countries.



Nominal Part No.		Major Dimensions and Tolerance (mm)			Major Dimensions and Tolerance (mm)							Eccentricity μ m	Squareness μ m	Basic Load Rating		Nominal Part No.	
Resin Retainer 合成树脂保持器	StainlessSteelRetainer 整体不锈钢保持器	Ball Circuit	Weight g	dr Tolerance	D Tolerance	L Tolerance	Flange							Dynamic C(N)	Static Co(N)		
					Df t Dp X Y Z												
<b>LMF 6L UU</b>		4	31	6	12	35	28	5	20	3.5	6.5	3.1	15	15	323	530	<b>LMF 6L</b>
<b>LMF 8L UU</b>	<b>LMF 8L-A</b>	4	51	8	15	45	32	5	24	3.5	6.5	3.1	15	15	431	784	<b>LMF 8L</b>
<b>LMF 10L UU</b>	<b>LMF 10L-A</b>	4	98	10	19	55	40	6	29	4.5	7.5	4.1	15	15	588	1,100	<b>LMF 10L</b>
<b>LMF 12L UU</b>	<b>LMF 12L-A</b>	4	110	12	21	57	42	6	32	4.5	7.5	4.1	15	15	813	1,570	<b>LMF 12L</b>
<b>LMF 13L UU</b>		4	130	13	23	61	43	6	33	4.5	7.5	4.1	15	15	813	1,570	<b>LMF 13L</b>
<b>LMF 16L UU</b>	<b>LMF 16L-A</b>	5	190	16	28	70	48	6	38	4.5	7.5	4.1	15	15	1,230	2,350	<b>LMF 16L</b>
<b>LMF 20L UU</b>	<b>LMF 20L-A</b>	5	260	20	32	80	54	8	43	5.5	9	5.1	20	20	1,400	2,740	<b>LMF 20L</b>
<b>LMF 25L UU</b>	<b>LMF 25L-A</b>	6	540	25	40	112	62	8	51	5.5	9	5.1	20	20	1,560	3,140	<b>LMF 25L</b>
<b>LMF 30L UU</b>	<b>LMF 30L-A</b>	6	680	30	45	123	74	10	60	6.6	11	6.1	20	20	2,490	5,490	<b>LMF 30L</b>
<b>LMF 35L UU</b>	<b>LMF 35L-A</b>	6	1,020	35	52	135	82	10	67	6.6	11	6.1	25	25	2,650	6,270	<b>LMF 35L</b>
<b>LMF 40L UU</b>	<b>LMF 40L-A</b>	6	1,570	40	60	151	96	13	78	9	14	8.1	25	25	3,430	8,040	<b>LMF 40L</b>
<b>LMF 50L UU</b>		6	3,600	50	80	192	116	13	98	9	14	8.1	25	25	6,080	15,900	<b>LMF 50L</b>
<b>LMF 60L UU</b>		6	4,500	60	90	209	134	18	112	11	17	11.1	30	30	7,550	20,000	<b>LMF 60L</b>

SI Unit 1N=0.102kgf