

LMH <Built-in Synthetics Resin Retainer>

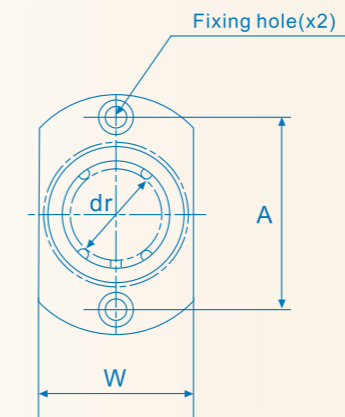
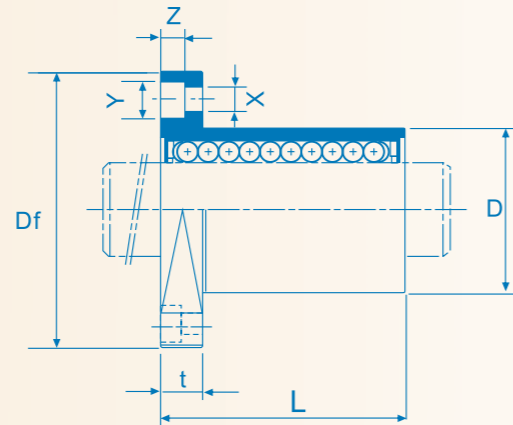
合成树脂保持器

LMHA <Stainless Steel Retainer>

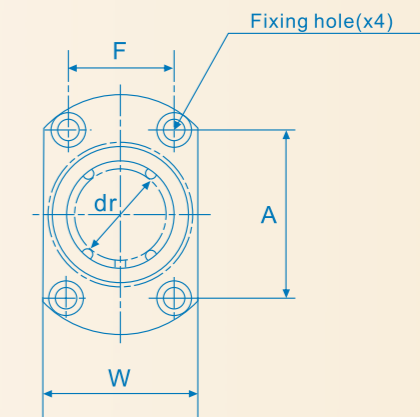
整体不锈钢保持器



This type is a metric dimension series widely used in Japan and other countries



LMH 13 or less



LMH 16 or more

Nominal Part No.				Major Dimensions and Tolerance (mm)			Major Dimensions and Tolerance (mm)							Eccentricity μm	Squareness μm	Basic Load Rating		Nominal Part No.	
Resin Retainer 合成树脂保持器	StainlessSteelRetainer 整体不锈钢保持器	Ball Circuit	Weight g	dr Tolerance	D Tolerance	L Tolerance	Flange									Dynamic C(N)	Static Co(N)		
							Df	W	t	A	F	X	Y	Z					
LMH 5 UU		4		5		15	25	16	5	17	—	3.5	6	3.1	12	12	167	206	LMH 5
LMH 6 UU		4	21	6		19	28	18	5	20	—	3.5	6	3.1	12	12	206	265	LMH 6
LMH 8 UU	LMH 8-A	4	33	8	-0.013	24	32	21	5	24	—	3.5	6	3.1	12	12	274	392	LMH 8
LMH 10 UU	LMH 10-A	4	64	10		29	40	25	6	29	—	4.5	7.5	4.1	12	12	372	549	LMH 10
LMH 12 UU	LMH 12-A	4	68	12	0	30	42	27	6	32	—	4.5	7.5	4.1	12	12	510	784	LMH 12
LMH 13 UU		4	81	13	-0.009	32	43	29	6	33	—	4.5	7.5	4.1	12	12	510	784	LMH 13
LMH 16 UU	LMH 16-A	5	112	16		37	48	34	6	31	22	4.5	7.5	4.1	12	12	774	1,180	LMH 16
LMH 20 UU	LMH 20-A	5	167	20	0	42	54	38	8	36	24	5.5	9	5.1	15	15	882	1,370	LMH 20
LMH 25 UU	LMH 25-A	6	325	25	-0.010	59	62	46	8	40	32	5.5	9	5.1	15	15	980	1,570	LMH 25
LMH 30 UU	LMH 30-A	6	388	30		64	74	51	10	49	35	6.6	11	6.1	15	15	1,570	2,740	LMH 30
LMH 40 UU	LMH 40-A	6	913	40	0		96	66	13	64	45	9	14	8.1	17	17	2,160	4,020	LMH 40

SI Unit 1N≒0.102kgf