

**LMK <Built-in Synthetics Resin Retainer>**

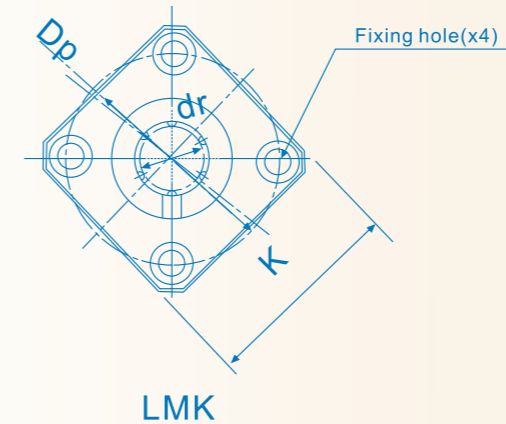
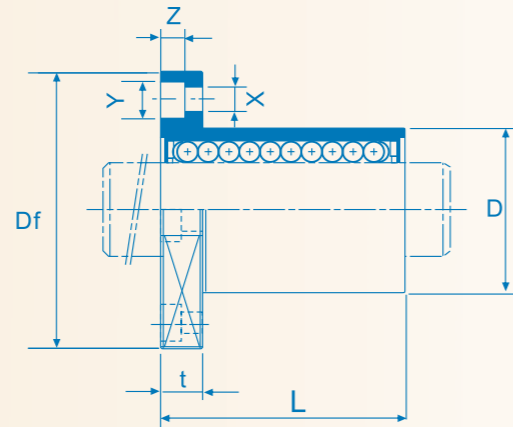
合成树脂保持器

**LMKA <Stainless Steel Retainer>**

整体不锈钢保持器



This type is a metric dimension series widely used in Japan and other countries



Nominal Part No.		Major Dimensions and Tolerance (mm)			Major Dimensions and Tolerance (mm)							Eccentricity μ m	Squareness μ m	Basic Load Rating		Nominal Part No.		
Resin Retainer 合成树脂保持器	StainlessSteelRetainer 整体不锈钢保持器	Ball Circuit	Weight g	dr Tolerance	D Tolerance	L Tolerance	Flange							Dynamic C(N)	Static Co(N)			
							Df	K	t	Dp	X	Y	Z					
<b>LMK 6 UU</b>		4	18	6	12	19	28	22	5	20	3.5	6	3.1	12	12	206	265	<b>LMK 6</b>
<b>LMK 8S UU</b>		4	24	8	15	17	32	25	5	24	3.5	6	3.1	12	12	176	216	<b>LMK 8S</b>
<b>LMK 8 UU</b>	<b>LMK 8-A</b>	4	29	8	15	24	32	25	5	24	3.5	6	3.1	12	12	274	392	<b>LMK 8</b>
<b>LMK 10 UU</b>	<b>LMK 10-A</b>	4	52	10	19	29	40	30	6	29	4.5	7.5	4.1	12	12	372	549	<b>LMK 10</b>
<b>LMK 12 UU</b>	<b>LMK 12-A</b>	4	57	12	21	30	42	32	6	32	4.5	7.5	4.1	12	12	510	784	<b>LMK 12</b>
<b>LMK 13 UU</b>		4	72	13	23	32	43	34	6	33	4.5	7.5	4.1	12	12	510	784	<b>LMK 13</b>
<b>LMK 16 UU</b>	<b>LMK 16-A</b>	5	104	16	28	37	48	37	6	38	4.5	7.5	4.1	12	12	774	1,180	<b>LMK 16</b>
<b>LMK 20 UU</b>	<b>LMK 20-A</b>	5	145	20	32	42	54	42	8	43	5.5	9	5.1	15	15	882	1,370	<b>LMK 20</b>
<b>LMK 25 UU</b>	<b>LMK 25-A</b>	6	300	25	40	59	62	50	8	51	5.5	9	5.1	15	15	980	1,570	<b>LMK 25</b>
<b>LMK 30 UU</b>	<b>LMK 30-A</b>	6	375	30	45	64	74	58	10	60	6.6	11	6.1	15	15	1,570	2,740	<b>LMK 30</b>
<b>LMK 35 UU</b>	<b>LMK 35-A</b>	6	560	35	52	70	82	64	10	67	6.6	11	6.1	20	20	1,670	3,140	<b>LMK 35</b>
<b>LMK 40 UU</b>	<b>LMK 40-A</b>	6	880	40	60	80	96	75	13	78	9	14	8.1	20	20	2,160	4,020	<b>LMK 40</b>
<b>LMK 50 UU</b>		6	2000	50	80	100	116	92	13	98	9	14	8.1	20	20	3,820	7,940	<b>LMK 50</b>
<b>LMK 60 UU</b>		6	2560	60	90	110	134	106	18	112	11	17	11.1	25	25	4,700	10,000	<b>LMK 60</b>

SI Unit 1N=0.102kgf