

法兰型行程轴承（重负荷型）：STF(K)···B
可进行旋转运动、有限直线运动及复合运动；可用螺丝固定安装法兰，运动承载能力更强，便于组装。
所有型号均可根据客户要求做镀镍处理，有防锈作用。

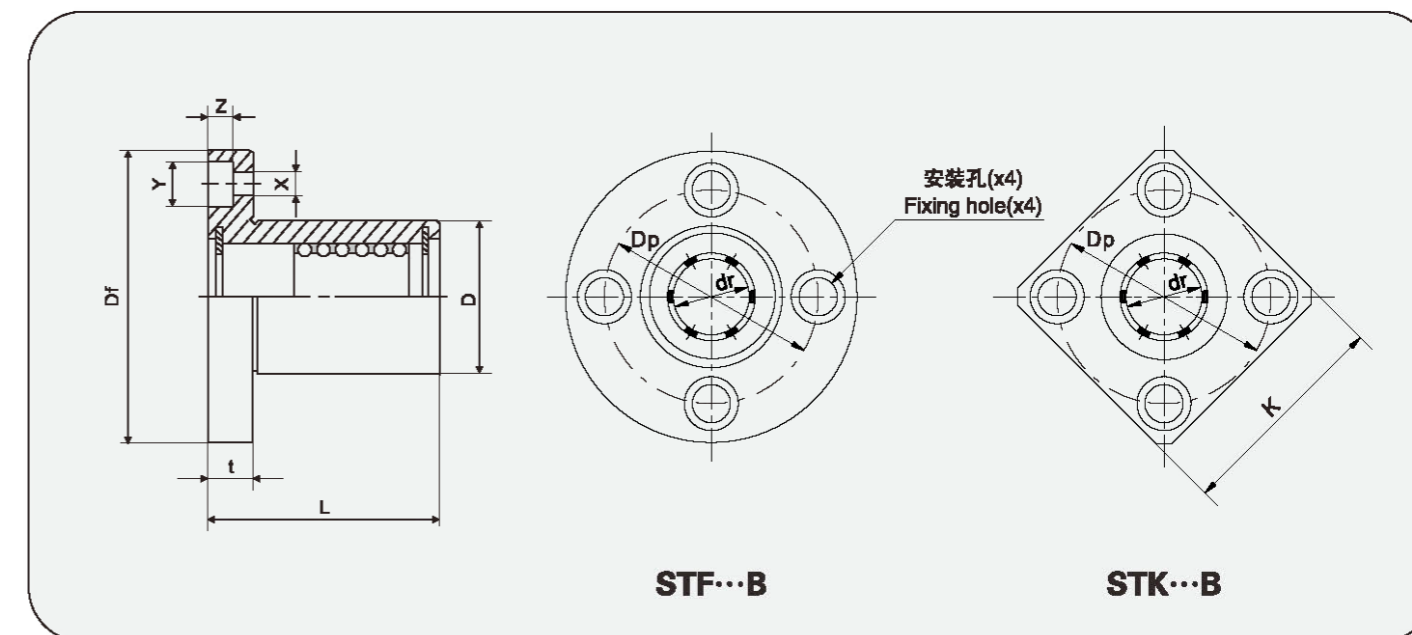
Flanged Ordinary type (Heavy duty type): STF(K)···B
Flanged stroke bearing is a linear and rotational motion mechanism utilizing, the rotational motion of ball elements between an outer cylinder and a shaft, with bigger loading capacity, which is easy assembling.
All models can be done with nickle palted according to customers' requirements, with function of rust-proof.



STF...B



STK...B



STF...B

STK...B

圆法兰 STF...B	重量 Weight (g)	方法兰 STK...B	重量 Weight (g)	最大行程 Maximum stroke mm	钢球列数 Number of rows	主要尺寸和公差 Major dimensions and tolerance					
						dr		D		L	
						mm	公差 Tolerance μ m	mm	公差 Tolerance μ m	mm	公差 Tolerance μ m
STF6B	26	STK6B	20	8	6	6	+22 +13	12	0 -13	20	±300
STF8B	38.2	STK8B	30.2	8	6	8		15		24	
STF10B	72.4	STK10B	52.4	8	6	10		19		30	
STF12B	91	STK12B	75	8	6	12		23	0 -16	32	
STF13B	91	STK13B	75	8	6	13	+27 +16	23		32	
STF16B	125	STK16B	109	16	6	16		28		37	
STF20B	196	STK20B	161	20	6	20		32		45	0 -300
STF25B	245	STK25B	205	20	6	25	+33 +20	37	0 -19	45	
STF30B	340	STK30B	245	44	6	30		45		65	0 -400
STF35B	597	STK35B	507	54	6	35		52		70	
STF40B	1,040	STK40B	960	66	6	40	+41 +25	60	0 -22	80	
STF50B	1,462	STK50B	1,262	88	6	50		72		100	0 -400
STF60B	2,390	STK60B	1,950	88	6	60	+49 +30	85	0 -25	100	
STF80B	3,410	STK80B	2,910	76	6	80		110		100	
STF100B	4,520	STK100B	3,820	76	6	100	+58 +36	130	0 -29	100	

STF20 B A
A 镀镍 Nickel plated
B 重负荷型 Heavy duty type

主要尺寸和公差 Major dimensions and tolerance							垂直度 Squareness μ m	额定负荷 Basic load rating	
法兰 Flange								动负荷 Dynamic C N	静负荷 Static Co N
Df mm	K mm	t mm	Dp mm	X mm	Y mm	Z mm			
28	22	5	20	3.5	6	3.1	12	312	358
32	25	5	24	3.5	6	3.1		490	549
40	30	6	29	4.5	7.5	4.1		931	1,030
43	34	6	33	4.5	7.5	4.1		1,630	1,720
43	34	6	33	4.5	7.5	4.1		1,630	1,720
48	37	6	38	4.5	7.5	4.1		1,910	1,980
54	42	8	43	5.5	9	5.1	15	2,060	2,320
62	50	8	51	5.5	9	5.1		2,170	2,670
74	58	10	60	6.6	11	6.1		4,800	6,270
82	64	10	67	6.6	11	6.1	20	5,050	7,060
96	75	13	78	9	14	8.1		6,710	9,560
108	84	13	90	9	14	8.1		8,970	13,800
128	104	18	106	11	17	11.1		9,700	16,500
154	126	18	132	11	17	11.1	25	12,700	24,300
180	150	20	155	14	20	13.1		30	13,700

国际单位: 1N≈0.225lbs
1kg≈2.205lbs
SIUNIT: 1N≈0.225lbs
1kg≈2.205lbs